

mila-wall (Series100) General Operating Instructions

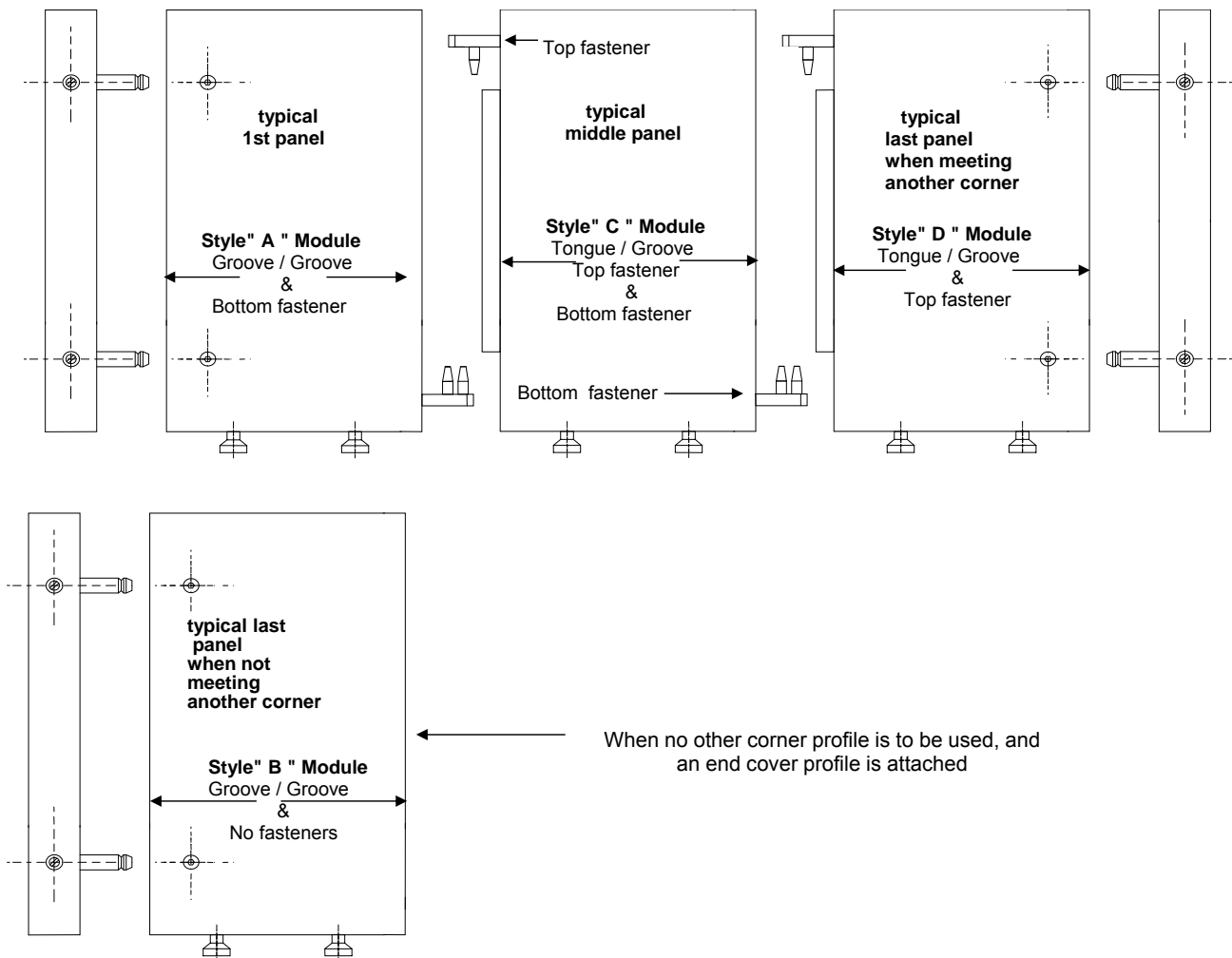


Visit www.mbawalls.com for video instructions.

Step #1: Before setting up walls, lower adjustable leveling feet on each panel approximately 1". This will allow access to the threaded nut required to level the adjustable feet. (Use the leveling disc or open ended wrench).

Step #2: Determine wall panel style.

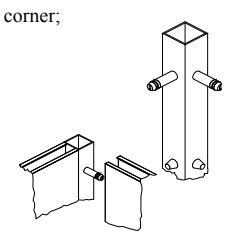
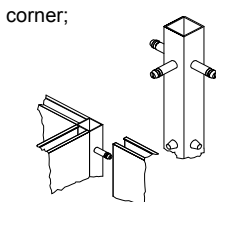
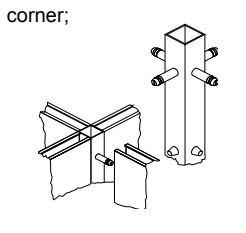
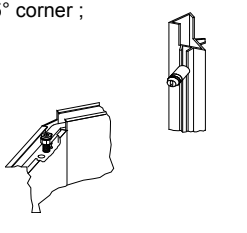
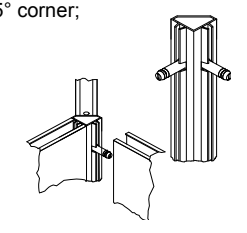
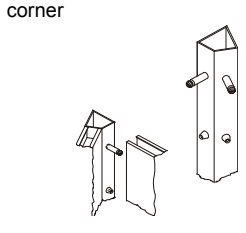
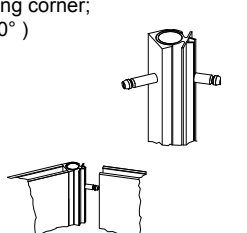
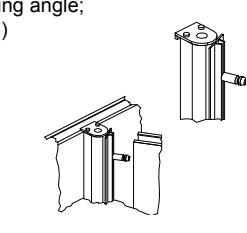
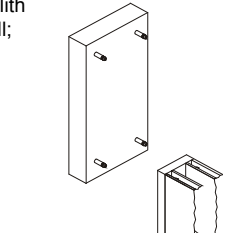
(NOTE: To change a panel style, see set up drawing # 100-15)



mila-wall (Series100) General Operating Instructions



Step #3: Begin by erecting a self-supporting corner wall section using a corner profile or monolith end wall.

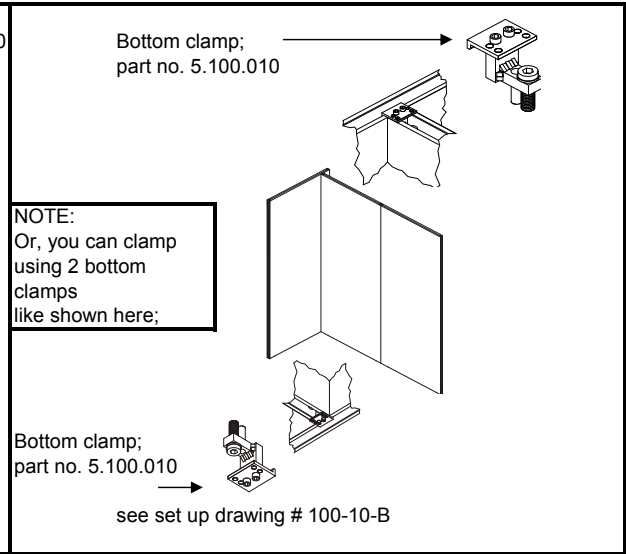
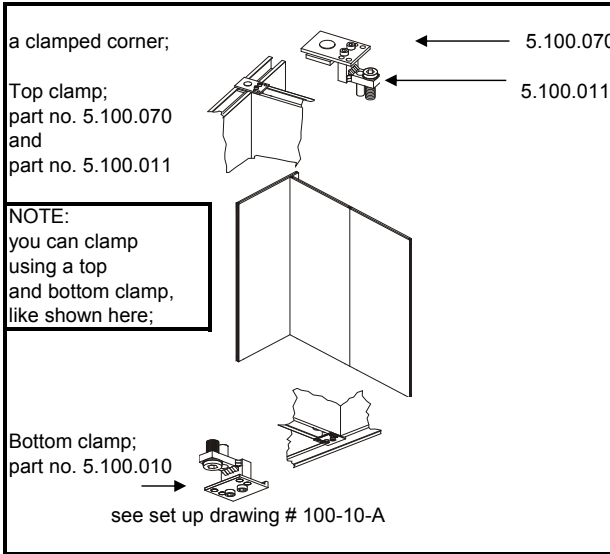
<p>either;</p>	<p>a 1x90° corner;</p>  <p>Profile no. 4.103.000 see set up drawing # 100-2</p>	<p>a 2x90° corner;</p>  <p>Profile no. 4.102.000 see set up drawing # 100-3</p>	<p>a 4x90° corner;</p>  <p>Profile no. 4.101.000 see set up drawing # 100-4</p>
<p>or,</p>	<p>a 1x135° corner ; (45°)</p>  <p>Profile no. 4.108.000 see set up drawing # 100-5</p>	<p>a 2x135° corner;</p>  <p>Profile no. 4.106.000 see set up drawing # 100-6</p>	<p>a 1x60° corner</p>  <p>Profile no. 4.108.000 see set up drawing # 100-7</p>
<p>or,</p>	<p>a Rotating corner; (90°-180°)</p>  <p>Profile no. 4.112.000 see set up drawing # 100-8</p>	<p>a Rotating angle; (0°-90°)</p>  <p>Profile no. 4.111.000 see set up drawing # 100-9</p>	<p>a monolith end wall;</p>  <p>Part no. 1.108.000 see set up drawing # 100-9A</p>

mila-wall (Series100) General Operating Instructions

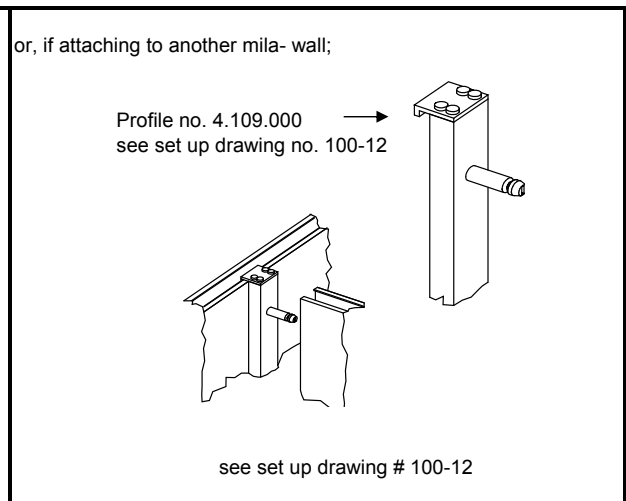
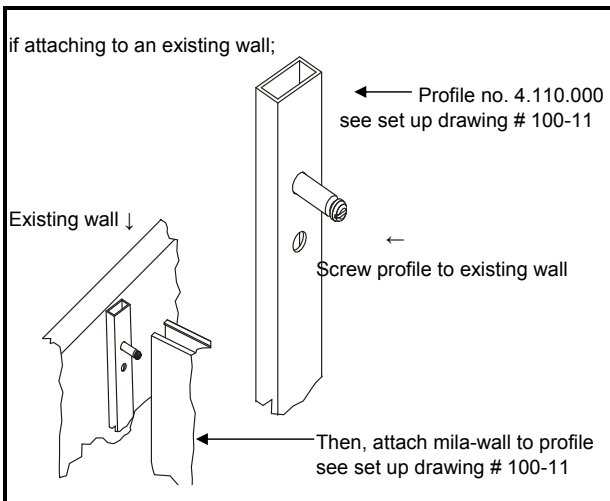


Step #3: (continued).

or,



or,



mila-wall (Series100) General Operating Instructions

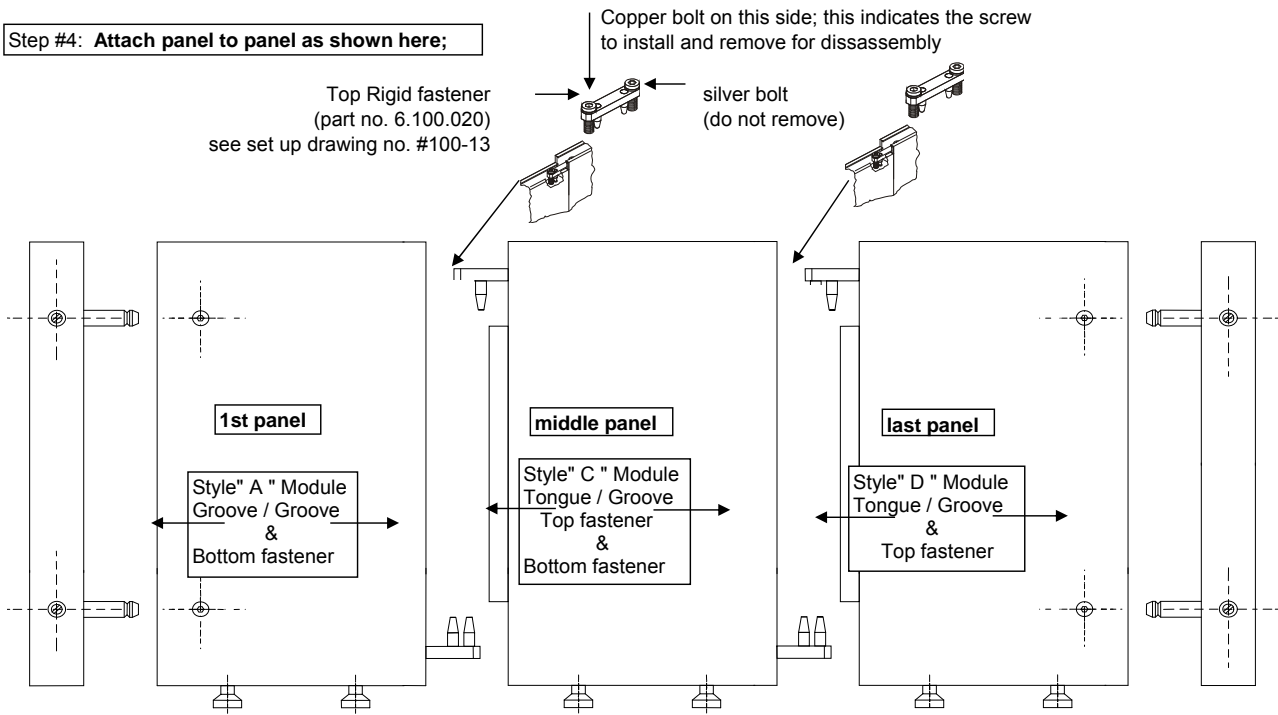


Step #4: Attach panel to panel as shown here;

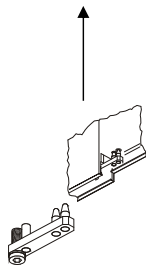
Top Rigid fastener
(part no. 6.100.020)
see set up drawing no. #100-13

Copper bolt on this side; this indicates the screw
to install and remove for disassembly

silver bolt
(do not remove)



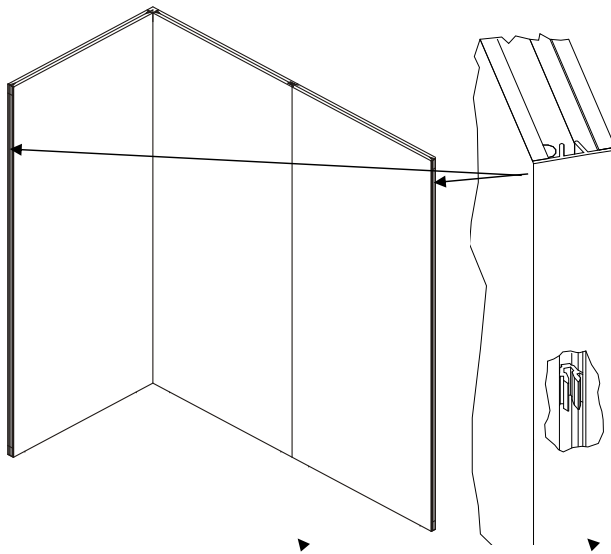
Bottom fastener
part no. 6.100.010
see set up drawing no. #100-13



mila-wall (Series100) General Operating Instructions



Step #5: Finish panels as shown here;



Clip # 1
part no. 6.100.200

Step # 1;
Snap 1 clip every 12" apart into the channel of the wall module from top to bottom (see top view)

Step # 2;
Press End Cover Profile onto clips and snap into place

Top view of how to install end cover into end of wall:



step 1A; push into end of profile until one side hooks into profile.
step 1B; rotate clip inward until other side of clip snaps into place.
step 2; push end cover profile straight onto white clip until it snaps into place.

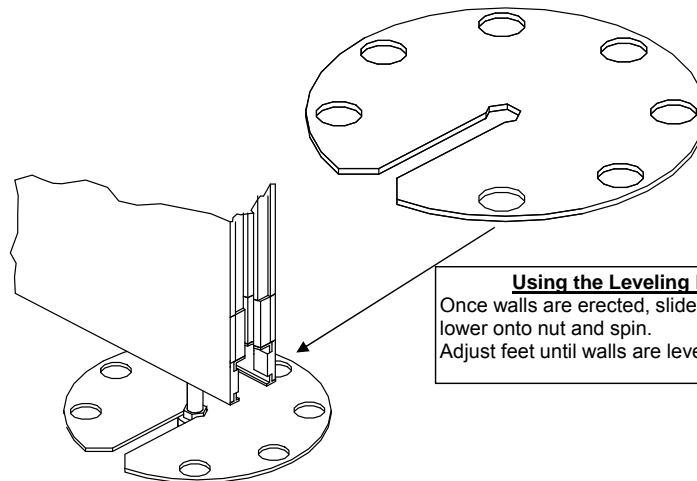
See set up drawing # 100-14

mila-wall (Series100) General Operating Instructions

page 6 of 20



Step #6: Adjust leveling feet as shown here;



Using the Leveling Disc:

Once walls are erected, slide disc over threaded portion of foot, lower onto nut and spin. Adjust feet until walls are level and secure.

page 6 of 20

set up drawing # 100-2 (1x90 corner)

page 7 of 20

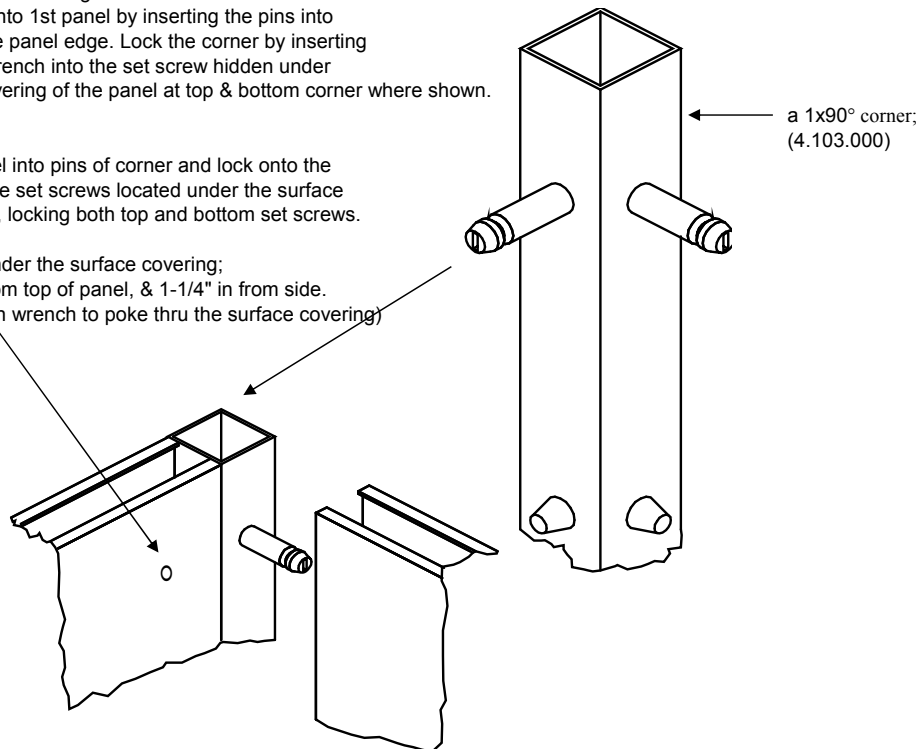
mila-wall (Series100) Detail Instructions; 1x90 corner



- Step 1; Lower adjustable leveling feet of each module to be attached.
Step 2; Attach corner into 1st panel by inserting the pins into the holes of the panel edge. Lock the corner by inserting a 3mm allen wrench into the set screw hidden under the surface covering of the panel at top & bottom corner where shown.

- Step 3; Bring 2nd panel into pins of corner and lock onto the corner using the set screws located under the surface covering again, locking both top and bottom set screws.

NOTE: Set screw is under the surface covering;
2-1/2" down from top of panel, & 1-1/4" in from side.
(Use 3mm allen wrench to poke thru the surface covering)



Note; 2nd set screw is in same location on panel at bottom.
(Lock both set screws to secure entire panel)

set up drawing # 100-2 (1x90 corner)

page 7 of 20

set up drawing # 100-3 (2x90 corner)

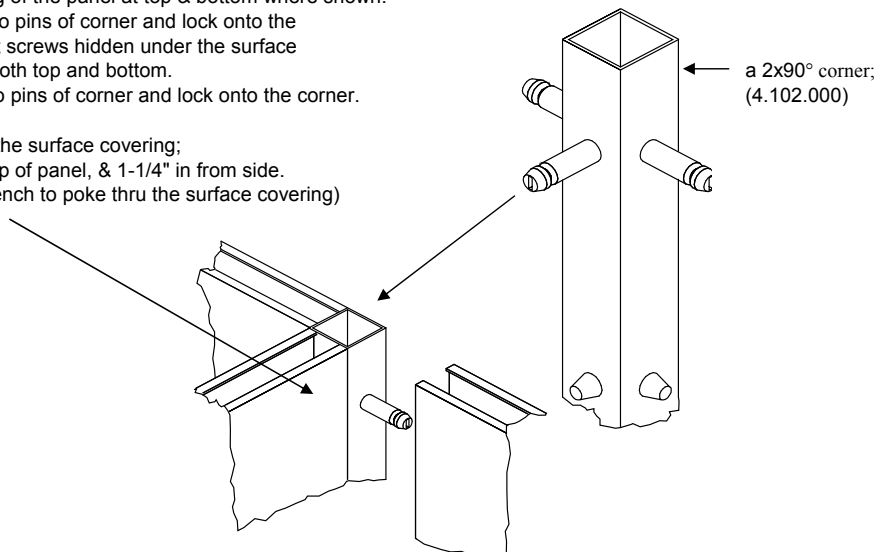
page 8 of 20

mila-wall (Series100) Detail Instructions; 2x90 corner



- Step 1; Lower adjustable leveling feet of each module to be attached.
- Step 2; Determine wall panel styles to be attached.
- Step 3; Attach corner onto 1st panel by inserting the pins into the holes of the panel. Lock the corner by inserting a 3mm allen wrench into the set screw hidden under the surface covering of the panel at top & bottom where shown.
- Step 4; Bring 2nd panel onto pins of corner and lock onto the corner using the set screws hidden under the surface covering again, at both top and bottom.
- Step 5; Bring 3rd panel onto pins of corner and lock onto the corner.

Set screw is under the surface covering;
2-1/2" down from top of panel, & 1-1/4" in from side.
(Use 3mm allen wrench to poke thru the surface covering)



Note; 2nd set screw is in same location on panel at bottom.
(Lock both set screws to secure entire panel)

set up drawing # 100-3 (2x90 corner)

page 8 of 20

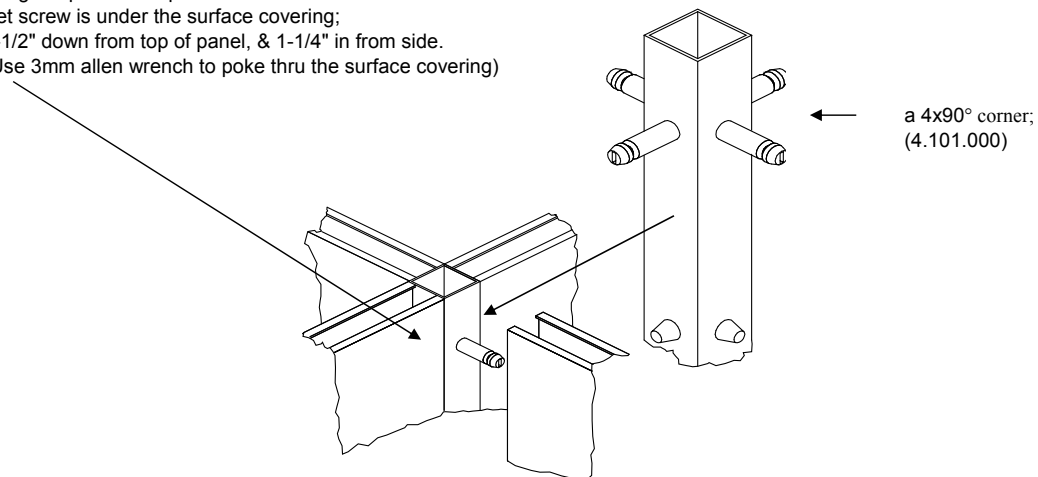
set up drawing # 100-4 (4x90 corner)

page 9 of 20

mila-wall (Series100) Detail Instructions; 4x90 corner



- Step 1; Lower adjustable leveling feet of each module to be attached.
- Step 2; Determine wall panel styles to be attached.
- Step 3; Attach corner onto 1st panel by inserting the pins into the holes of the panel. Lock the corner by inserting a 3mm allen wrench into the set screw hidden under the surface covering of the panel at top & bottom where shown.
- Step 4; Bring 2nd panel onto pins of corner and lock onto the corner using the set screws hidden under the surface covering again, at both top and bottom.
- Step 5; Bring 3rd panel onto pins of corner and lock onto the corner.
- Step 6; Bring 4th panel onto pins of corner and lock onto the corner.
Set screw is under the surface covering;
2-1/2" down from top of panel, & 1-1/4" in from side.
(Use 3mm allen wrench to poke thru the surface covering)



Note; 2nd set screw is in same location on panel at bottom.
(Lock both set screws to secure entire panel)

set up drawing # 100-4 (4x90 corner)

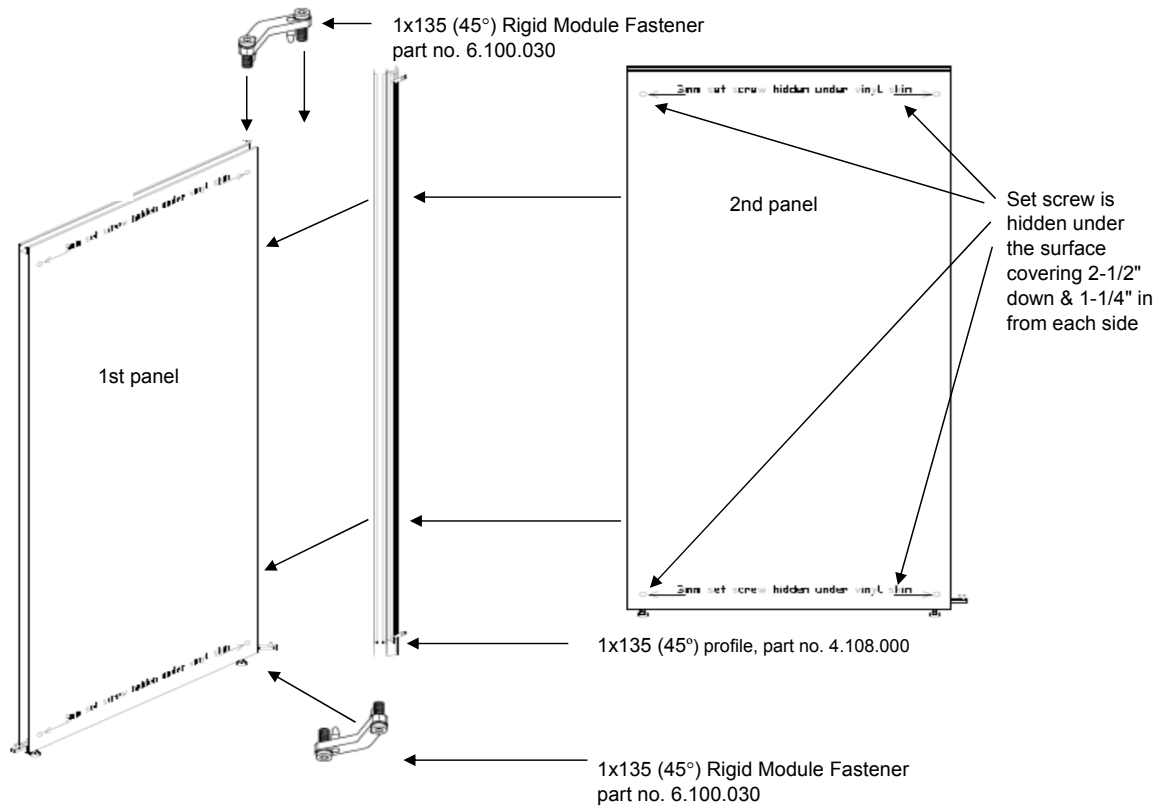
page 9 of 20

set up drawing # 100-5 (1x135 corner)

mila-wall (Series100) Detail Instructions; 1x135 corner



- Step 1; Lower adjustable leveling feet of each module to be attached.
- Step 2; Determine wall panel styles to be attached.



- Step 3; Attach bottom 1x135 (45°) rigid module fastener onto 1st panel
- Step 4; Place 1x135 (45°) profile onto 1st panel with pins facing away from 1st panel. (Hold in place while 2nd panel is attached)
- Step 5; Attach 2nd panel onto profile by inserting pins of profile into holes of 2nd panel.
Lock the corner by inserting a 3mm allen wrench into the set screw hidden under the surface covering of the panel at top & bottom where shown.
- Step 6; Attach top 1x135 (45°) rigid module fastener onto both 1st and 2nd panel by locking down the bolts with a 8mm hex wrench.

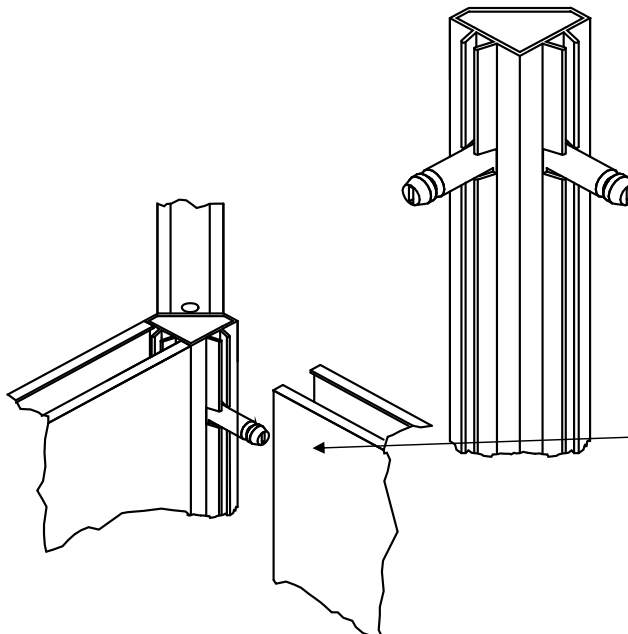
set up drawing # 100-6 (2x135 corner)

page 11 of 20

mila-wall (Series100) Detail Instructions; 2x135 corner



- Step 1; Lower adjustable leveling feet of each module to be attached.
Step 2; Determine wall panel styles to be attached.



NOTE:
Set screw is
hidden under
the surface
covering 2-1/2"
down & 1-1/4" in
from each side

- Step 3; Place 2x135 (45°, 90°) profile onto 1st panel. (Hold in place while 2nd & 3rd panels are attached)
Step 5; Lock the corners by inserting a 3mm allen wrench into the set screw hidden under the surface covering of the panel at top & bottom.

page 11 of 20

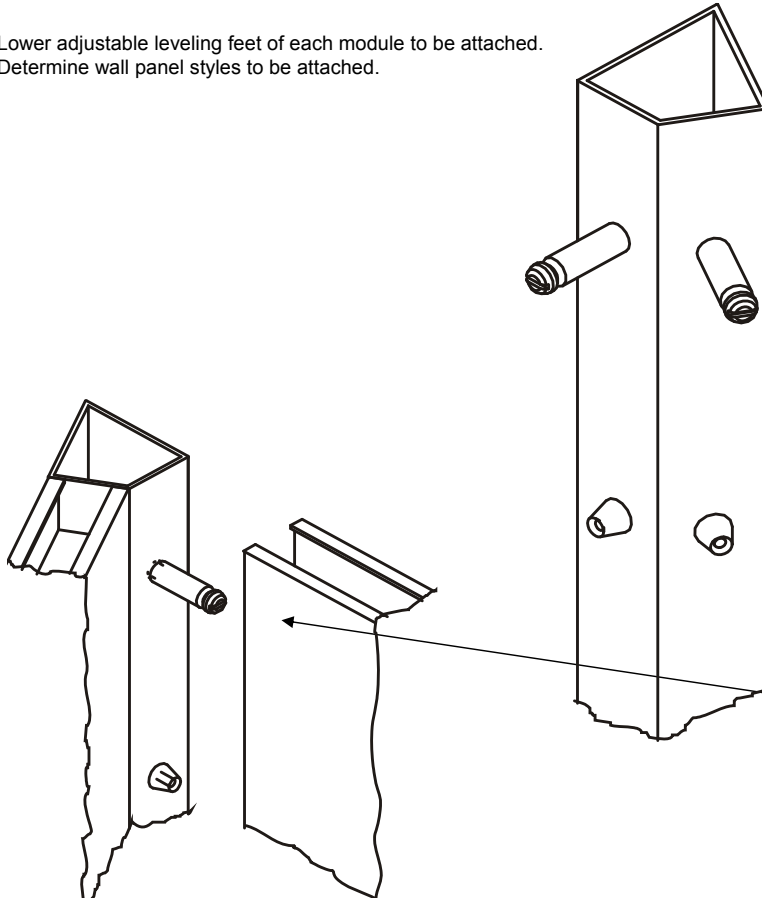
set up drawing # 100-7 (1x60 corner)

page 12 of 20

mila-wall (Series100) Detail Instructions; 1x60 corner



- Step 1; Lower adjustable leveling feet of each module to be attached.
Step 2; Determine wall panel styles to be attached.



NOTE:
Set screw is hidden under the surface covering 2-1/2" down & 1-1/4" in from each side

- Step 3; Place 1x60 profile onto 1st panel. (Hold in place while 2nd panel is attached)
Step 5; Lock the corners by inserting a 3mm allen wrench into the set screw hidden under the surface covering of the panel at top & bottom where shown.

page 12 of 20

- Step 3; Place 1x60 profile onto 1st panel. Lock into place (Hold in place while 2nd panel is attached)
Step 4; Lock the corners by inserting a 3mm allen wrench into the set screw hidden under the surface covering of the panel at top & bottom where shown.

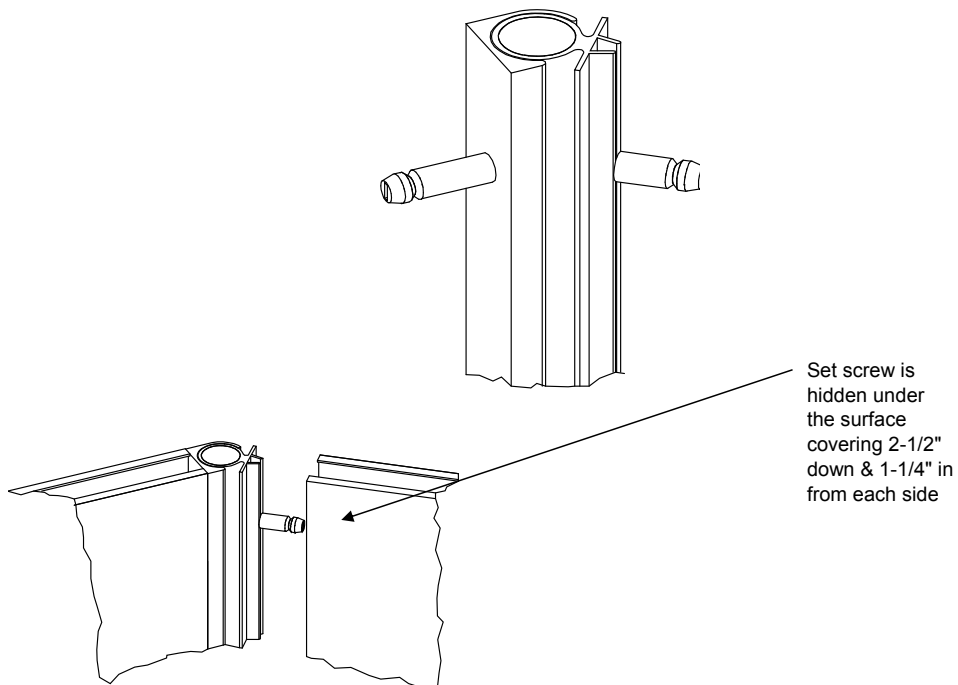
set up drawing # 100-8 (Rotating corner)

page 13 of 20

mila-wall (Series100) Detail Instructions; Rotating Corner



- Step 1; Lower adjustable leveling feet of each module to be attached.
Step 2; Determine wall panel styles to be attached.



- Step 3; Place Rotating Corner profile onto 1st panel. Lock into place (Hold in place while 2nd panel is attached)
Step 5; Lock the corners by inserting a 3mm allen wrench into the set screw hidden under the surface covering of the panel at top & bottom where shown.

page 13 of 20

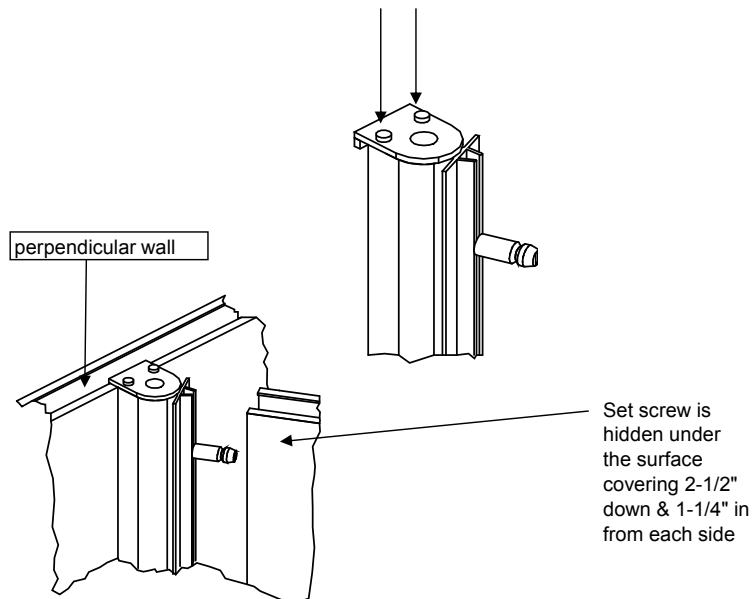
set up drawing # 100-9 (Rotating angle)

page 14 of 20

mila-wall (Series100) Detail Instructions; Rotating Angle



- step 1; Using a phillips head screwdriver, loosen these two screws approximately 3/4"
(This will allow the profile to be clamped onto the perpendicular wall)



- Step 2; Place the profile onto the wall where desired, hooking the bottom of the profile onto the wall.
Step 3; Place the loosened top of the profile onto the wall and re-tighten the screws until the profile is tight
Step 4; Place the next wall onto the pins of the profile and lock onto the profile.
(Lock the corner by inserting a 3mm allen wrench into the set screw hidden under the surface covering of the panel at top & bottom where shown.)

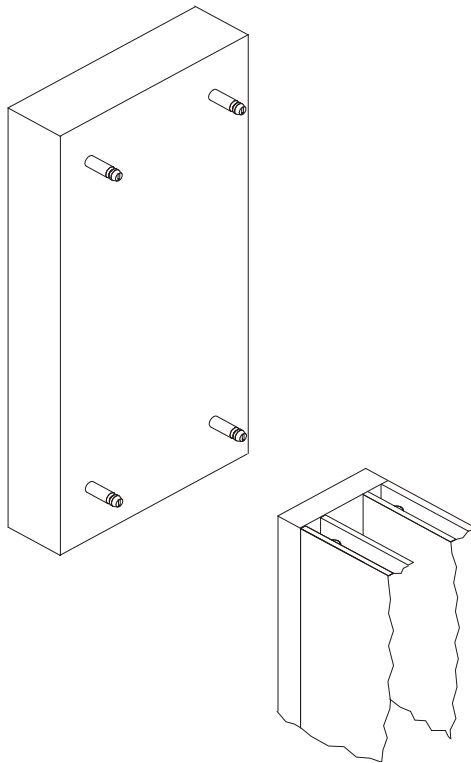
page 14 of 20

set up drawing # 100-10 (Monolith End Wall) mila-wall (Series100) Detail Instructions; Monolith End Wall



- Step 1; Lower adjustable leveling feet of each module to be attached.
Step 2; Determine wall panel styles to be attached.

page 15 of 20



- Step 3; Place monolith end onto 1st panel. Lock into place (Hold in place while 2nd panel is attached)
Step 4; Lock the corners by inserting a 3mm allen wrench into the set screw hidden under the surface covering of the panel at top & bottom where shown.

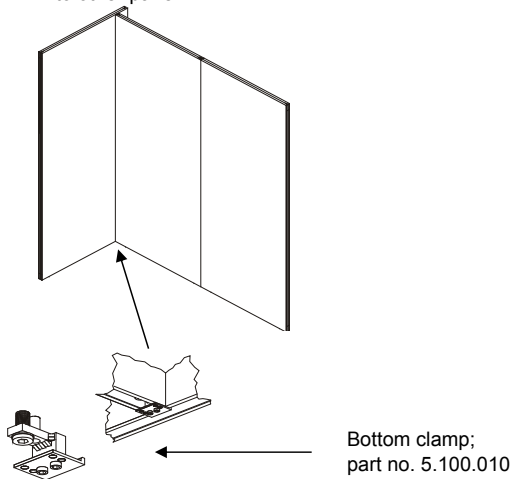
page 15 of 17

set up drawing # 100-10-A&B (clamped corner)

mila-wall (Series100) Detail Instructions; clamped corner

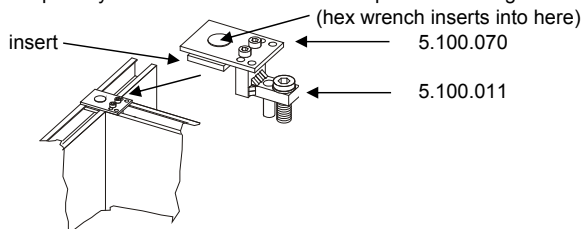


Step 1; Attach bottom clamp onto panel coming perpendicular into other panel.



Step 2; Move panel perpendicular into desired location onto other panel. Lower the leveling foot in order to butt panel up to other panel, then, raise leveling foot making sure that bottom clamp engages onto channel of other panel.

Step 3; Attach top clamp into the panel, locking it onto other panel. temporarily remove insert to install into top channel using 5mm hex wrench



NOTE:
Clamped corners can also be accomplished using 2- bottom clamps.
(see page 3)

set up drawing # 100-10-A&B (clamped corner)

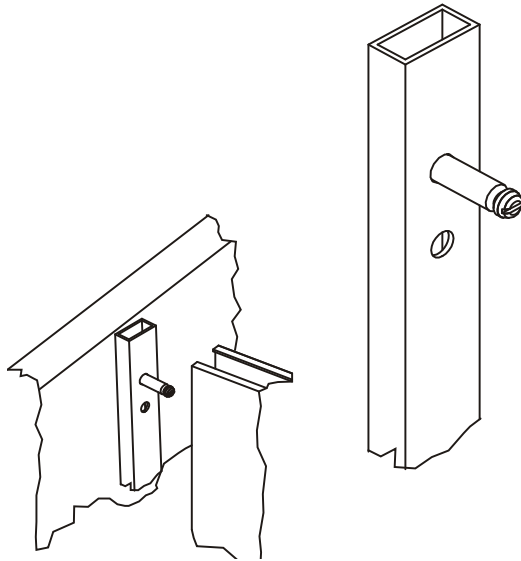
set up drawing # 100-11 (40x20 into existing wall)

mila-wall (Series100) Detail Instructions; 40x20 to existing wall



- Step 1; Measure 1 inch up from floor at location desired & mark wall.
Step 2; Attach profile to existing wall using #6 or #8 x 1-1/2" pan head screw or sheetrock screw
Note; Hole in front side of profile is large enough for the head of the screw to pass through.

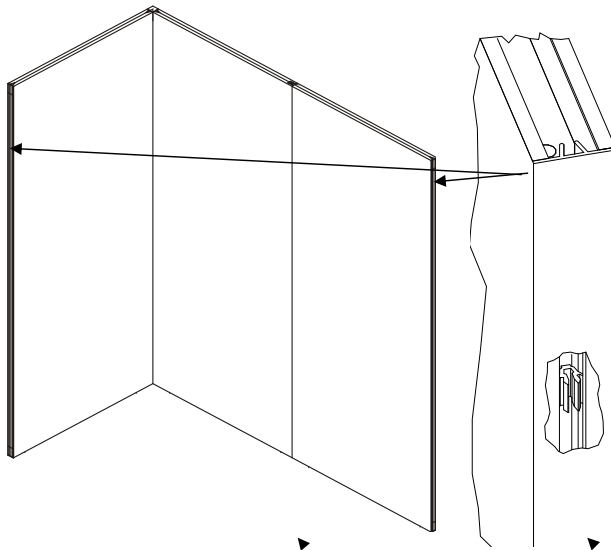
NOTE: Make sure to secure profile into a stud or blocking in the wall, or use an anchor in the sheetrock.



mila-wall (Series100) Detail Instructions; attach end covers



Step #5: Finish panels as shown here;

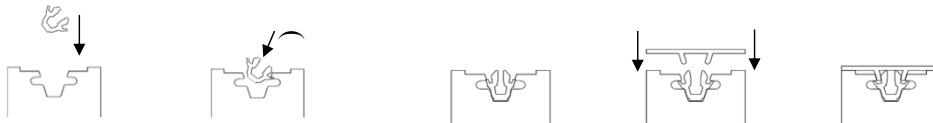


Clip # 1
part no. 6.100.200

Step # 1;
Snap 1 clip every 12" apart into the channel of the wall module from top to bottom (see top view)

Step # 2;
Press End Cover Profile onto clips and snap into place

Top view of how to install end cover into end of wall;



step 1A; push into end of profile until one side hooks into profile.
step 1B; rotate clip inward until other side of clip snaps into place.
step 2; push end cover profile straight onto white clip until it snaps into place.

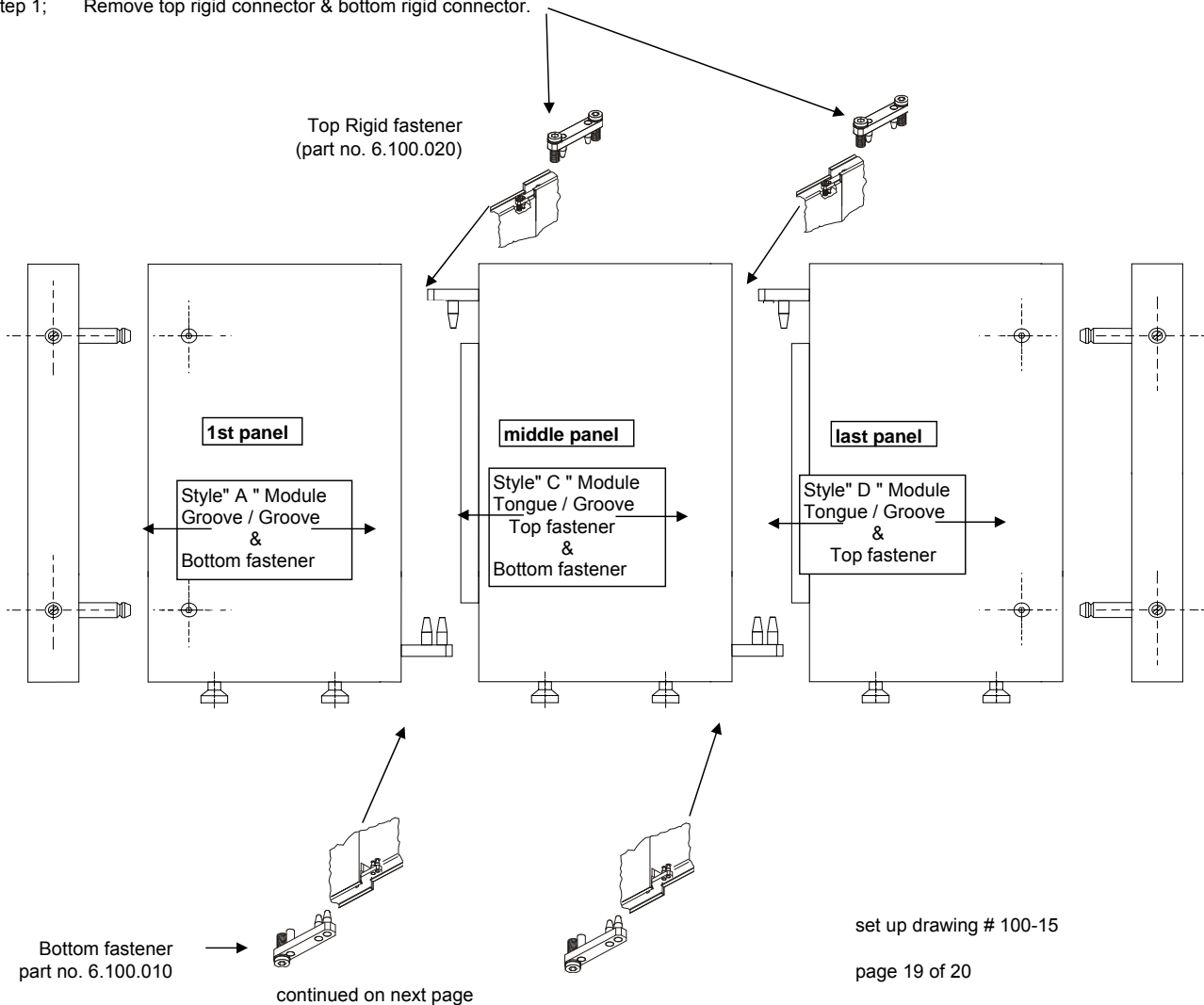
set up drawing # 100-15

mila-wall (Series100) Detail Instructions; Change Panel Style

NOTE: All mila-wall panel hardware is interchangeable. By changing hardware locations, you change the style of the panel.

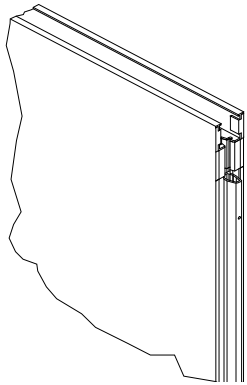


Step 1; Remove top rigid connector & bottom rigid connector.



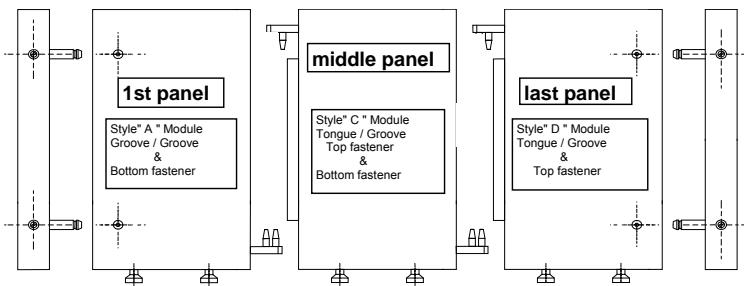
continued from previous page

- Step 2; Remove tongue profile from panel;
- A. Insert 3mm hex head allen wrench into the hole in the tongue
 - B. Turn allen wrench counterclockwise to release set screws (2).
 - C. Slide tongue out parallel to panel.



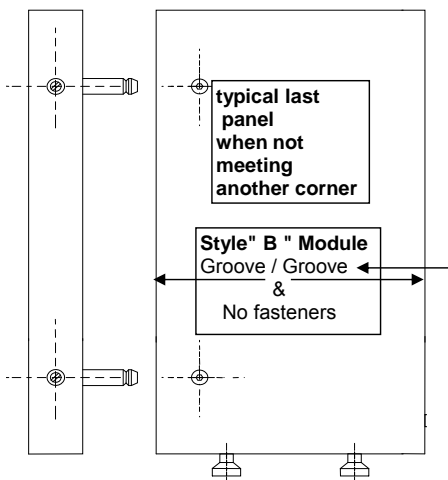
Note; There are 2 set screws;
1 at top of tongue, 1 at bottom.

Step 3; Attach appropriate hardware to make desired panel style.



or;

or;



When no other corner profile is to be used, and
an end cover profile is attached