

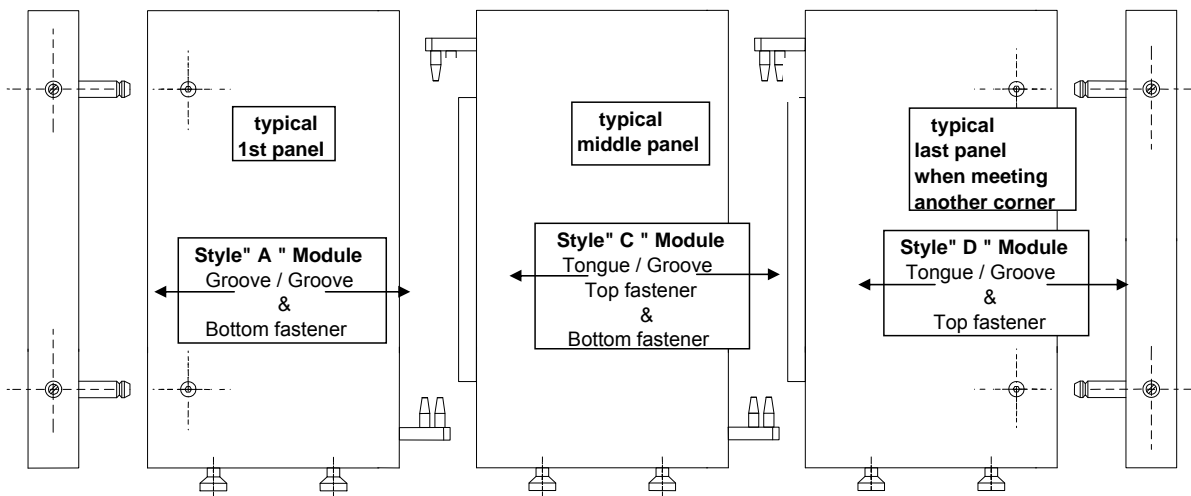
# mila-wall (Series100) General Operating Instructions



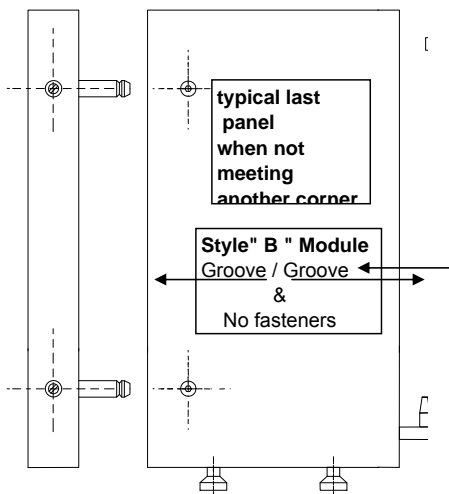
Step #1: Before setting up walls, lower adjustable leveling feet on each panel approximately 1". This will allow access to the threaded nut required to level the adjustable feet. (Use the leveling disc or open ended wrench).

Step #2: Determine wall panel style.

(NOTE: To change a panel style, see set up drawing # 100-15)



or;

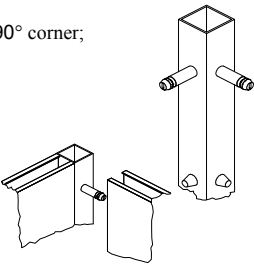
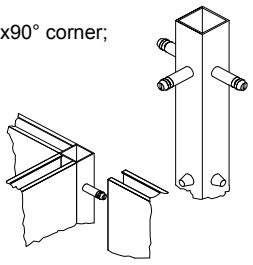
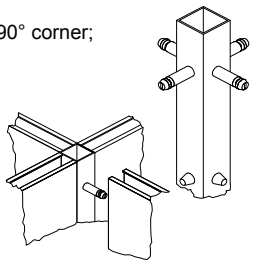


When no other corner profile is to be used, and an end cover profile is attached

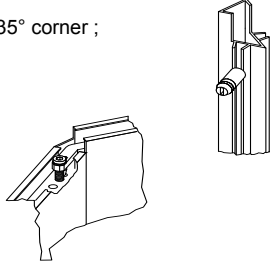
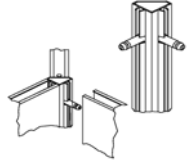
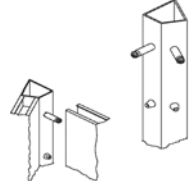


**Step #3: Begin by erecting a self-supporting corner wall section using a corner profile or monolith end wall.**

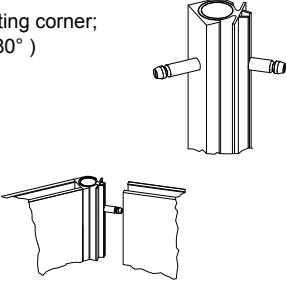
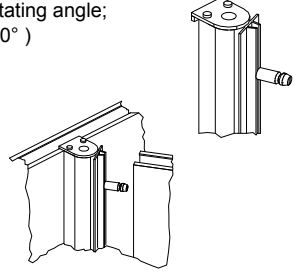
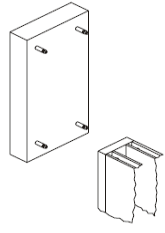
either;

<p>a 1x90° corner;</p>  <p>Profile no. 4.103.000 see set up drawing # 100-2</p>	<p>a 2x90° corner;</p>  <p>Profile no. 4.102.000 see set up drawing # 100-3</p>	<p>a 4x90° corner;</p>  <p>Profile no. 4.101.000 see set up drawing # 100-4</p>
--	--	--

or,

<p>a 1x135° corner ; (45° )</p>  <p>Profile no. 4.108.000 see set up drawing # 100-5</p>	<p>a 2x135° corner;</p>  <p>Profile no. 4.106.000 see set up drawing # 100-6</p>	<p>a 1x60° corner</p>  <p>Profile no. 4.108.000 see set up drawing # 100-7</p>
--	--	--

or,

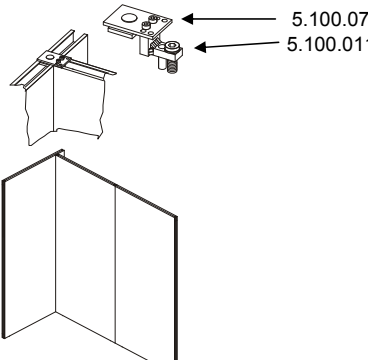
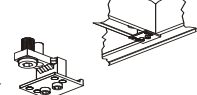
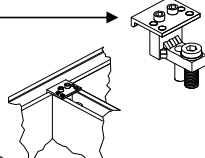
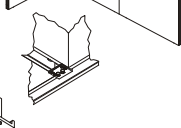

<p>a Rotating corner; (90°-180° )</p>  <p>Profile no. 4.112.000 see set up drawing # 100-8</p>	<p>a Rotating angle; (0°-90° )</p>  <p>Profile no. 4.111.000 see set up drawing # 100-9</p>	<p>a monolith end wall;</p>  <p>Part no. 1.108.000 see set up drawing # 100-9A</p>
---	--	---

# mila-wall (Series100) General Operating Instructions

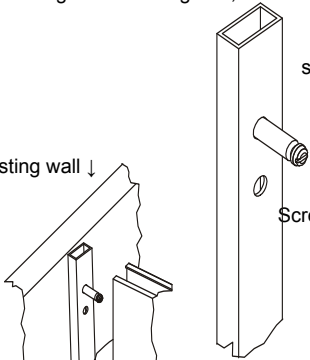
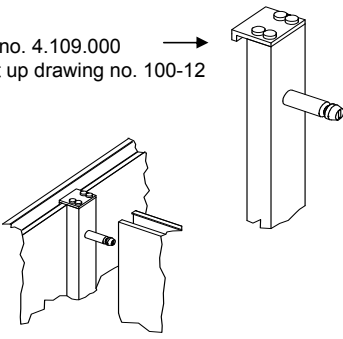


Step #3: (continued).

or,

<p>a clamped corner;</p> <p>Top clamp; part no. 5.100.070 and part no. 5.100.011</p>  <p>NOTE: you can clamp using a top and bottom clamp, like shown here;</p> <p>Bottom clamp; part no. 5.100.010</p>  <p>see set up drawing # 100-10-A</p>	<p>Bottom clamp; part no. 5.100.010</p>  <p>NOTE: Or, you can clamp using 2 bottom clamps like shown here;</p>  <p>Bottom clamp; part no. 5.100.010</p>  <p>see set up drawing # 100-10-B</p>
--	---

or,

<p>if attaching to an existing wall;</p>  <p>Existing wall ↓</p> <p>← Profile no. 4.110.000 see set up drawing # 100-11</p> <p>← Screw profile to existing wall</p> <p>← Then, attach mila-wall to profile see set up drawing # 100-11</p>	<p>or, if attaching to another mila- wall;</p> <p>Profile no. 4.109.000 see set up drawing no. 100-12</p>  <p>see set up drawing # 100-12</p>
---	--

# mila-wall (Series100) General Operating Instructions

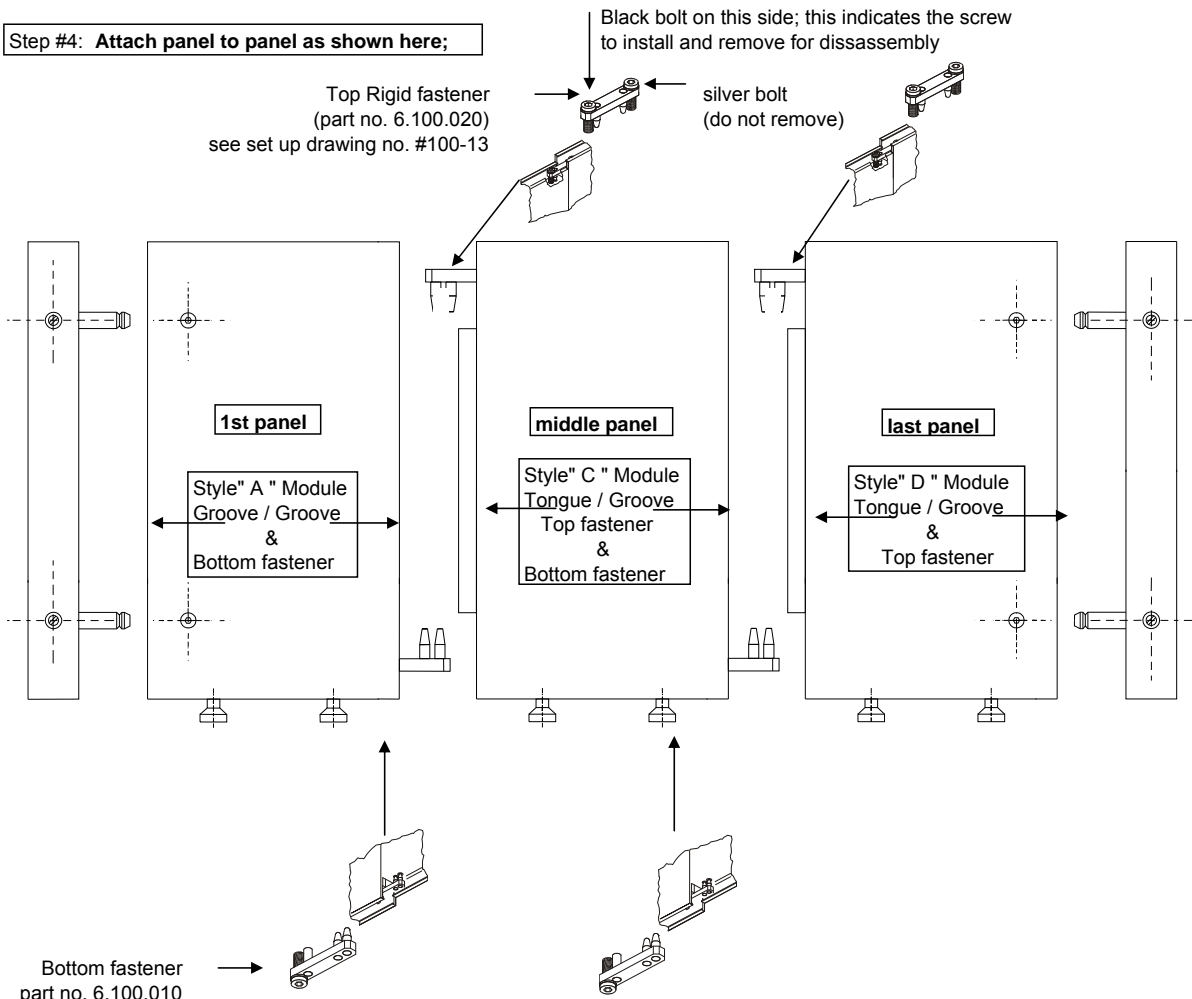


Step #4: Attach panel to panel as shown here;

Top Rigid fastener  
(part no. 6.100.020)  
see set up drawing no. #100-13

Black bolt on this side; this indicates the screw  
to install and remove for disassembly

silver bolt  
(do not remove)

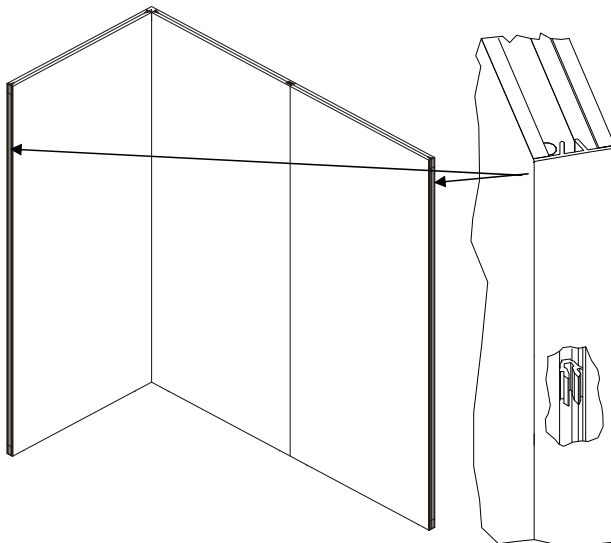


Bottom fastener  
part no. 6.100.010  
see set up drawing no. #100-13

# mila-wall (Series100) General Operating Instructions



Step #5: Finish panels as shown here;

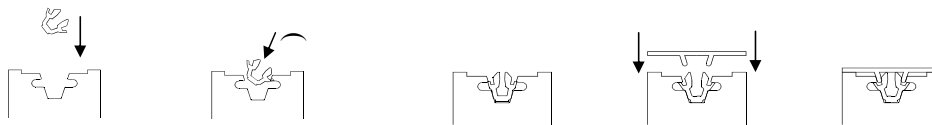


Clip # 1  
part no. 6.100.200

**Step # 1;**  
Snap 1 clip every 12" apart into the channel of the wall module from top to bottom (see top view)

**Step # 2;**  
Press End Cover Profile onto clips and snap into place

Top view of how to install end cover into end of wall:



step 1A; push into end of profile until one side hooks into profile.  
step 1B; rotate clip inward until other side of clip snaps into place.  
step 2; push end cover profile straight onto white clip until it snaps into place.

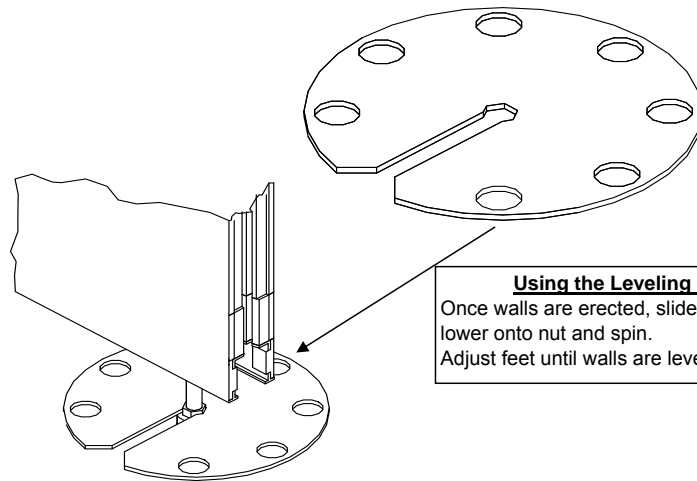
See set up drawing # 100-14

## mila-wall (Series100) General Operating Instructions

page 6 of 15



Step #6: Adjust leveling feet as shown here;



**Using the Leveling Disc:**

Once walls are erected, slide disc over threaded portion of foot, lower onto nut and spin. Adjust feet until walls are level and secure.

page 6 of 15

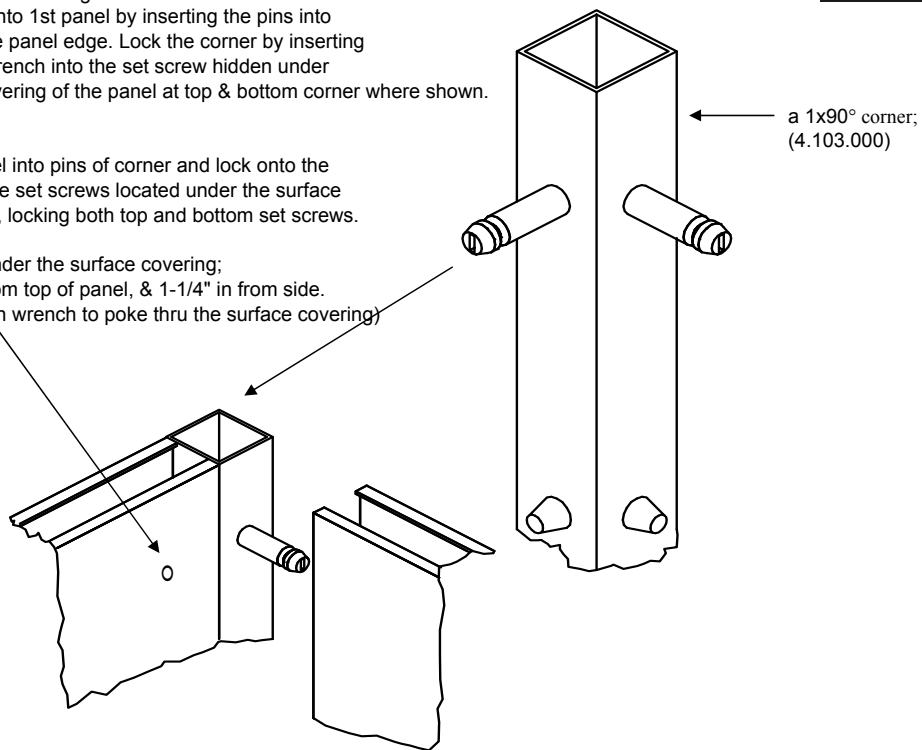
## mila-wall (Series100) Detail Instructions; 1x90 corner



- Step 1; Lower adjustable leveling feet of each module to be attached.  
Step 2; Attach corner into 1st panel by inserting the pins into the holes of the panel edge. Lock the corner by inserting a 3mm allen wrench into the set screw hidden under the surface covering of the panel at top & bottom corner where shown.

- Step 3; Bring 2nd panel into pins of corner and lock onto the corner using the set screws located under the surface covering again, locking both top and bottom set screws.

**NOTE:** Set screw is under the surface covering; 2-1/2" down from top of panel, & 1-1/4" in from side. (Use 3mm allen wrench to poke thru the surface covering)



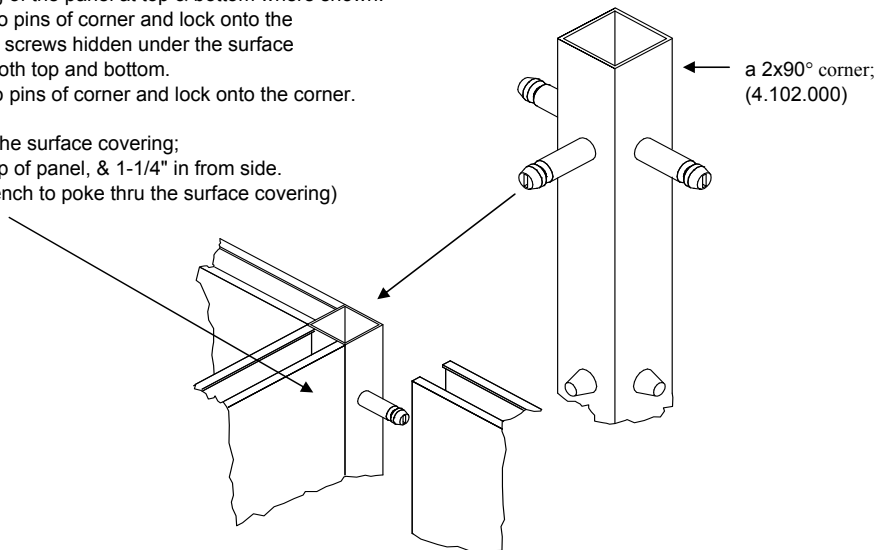
Note; 2nd set screw is in same location on panel at bottom. (Lock both set screws to secure entire panel)

## mila-wall (Series100) Detail Instructions; 2x90 corner



- Step 1; Lower adjustable leveling feet of each module to be attached.
- Step 2; Determine wall panel styles to be attached.
- Step 3; Attach corner onto 1st panel by inserting the pins into the holes of the panel. Lock the corner by inserting a 3mm allen wrench into the set screw hidden under the surface covering of the panel at top & bottom where shown.
- Step 4; Bring 2nd panel onto pins of corner and lock onto the corner using the set screws hidden under the surface covering again, at both top and bottom.
- Step 5; Bring 3rd panel onto pins of corner and lock onto the corner.

Set screw is under the surface covering;  
2-1/2" down from top of panel, & 1-1/4" in from side.  
(Use 3mm allen wrench to poke thru the surface covering)



Note; 2nd set screw is in same location on panel at bottom.  
(Lock both set screws to secure entire panel)

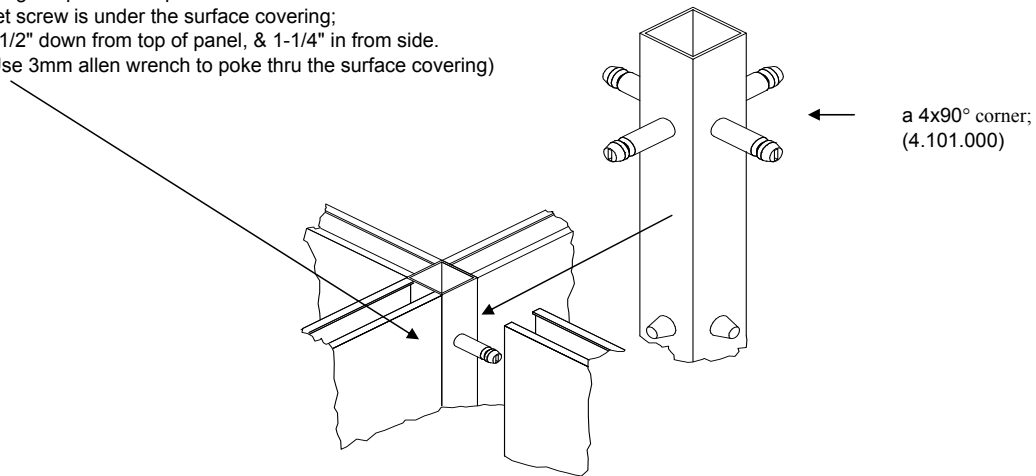
set up drawing # 100-3 (2x90 corner)



## mila-wall (Series100) Detail Instructions; 4x90 corner



- Step 1; Lower adjustable leveling feet of each module to be attached.
- Step 2; Determine wall panel styles to be attached.
- Step 3; Attach corner onto 1st panel by inserting the pins into the holes of the panel. Lock the corner by inserting a 3mm allen wrench into the set screw hidden under the surface covering of the panel at top & bottom where shown.
- Step 4; Bring 2nd panel onto pins of corner and lock onto the corner using the set screws hidden under the surface covering again, at both top and bottom.
- Step 5; Bring 3rd panel onto pins of corner and lock onto the corner.
- Step 6; Bring 4th panel onto pins of corner and lock onto the corner.  
Set screw is under the surface covering;  
2-1/2" down from top of panel, & 1-1/4" in from side.  
(Use 3mm allen wrench to poke thru the surface covering)



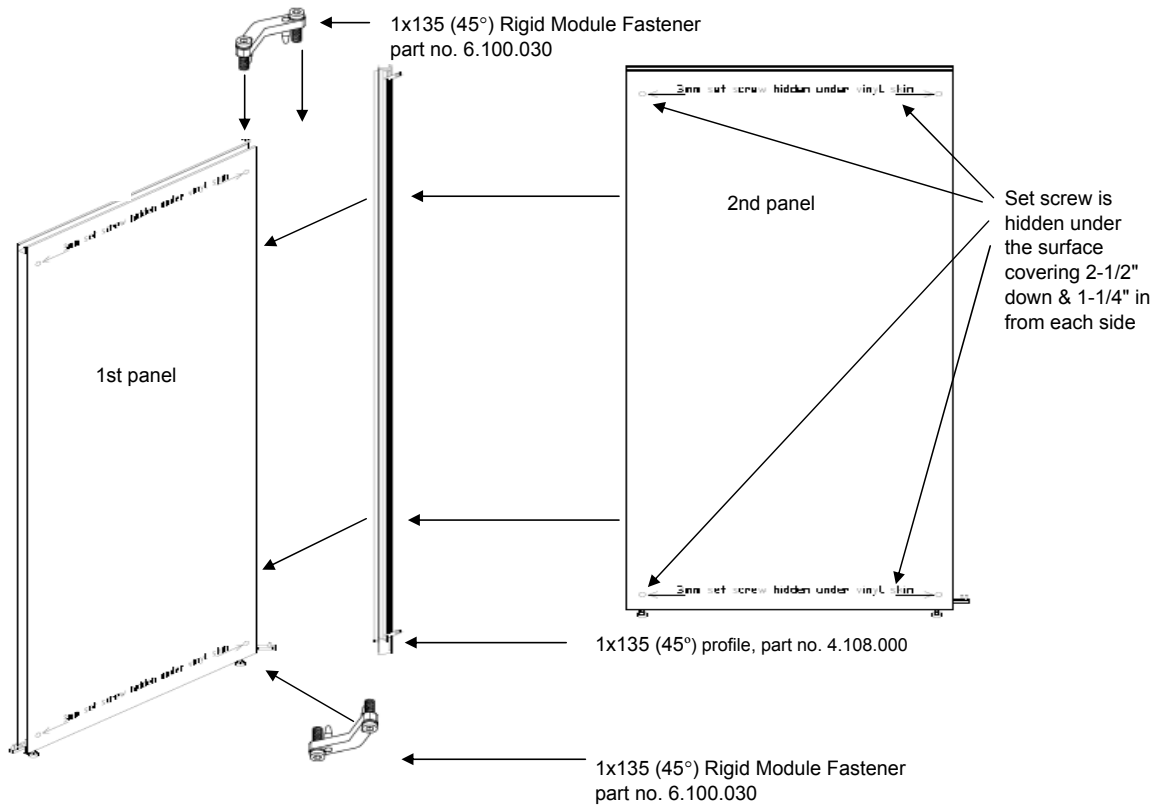
Note; 2nd set screw is in same location on panel at bottom.  
(Lock both set screws to secure entire panel)

set up drawing # 100-4 (4x90 corner)

## mila-wall (Series100) Detail Instructions; 1x135 corner



- Step 1; Lower adjustable leveling feet of each module to be attached.
- Step 2; Determine wall panel styles to be attached.

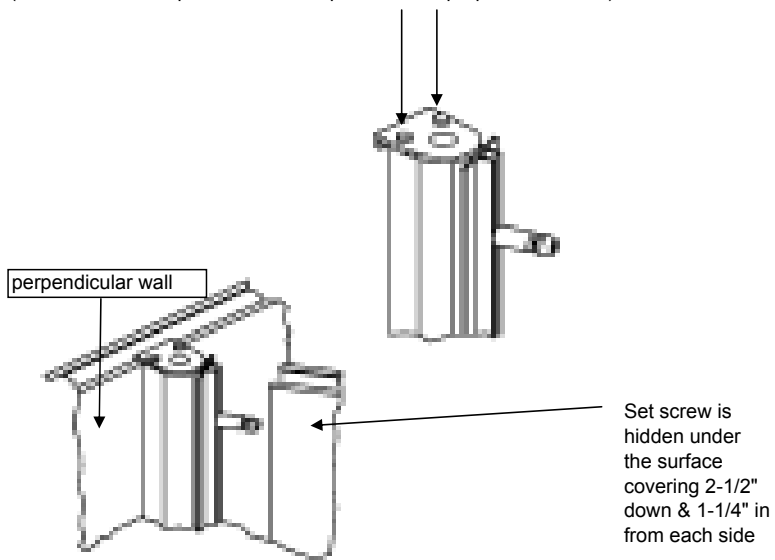


- Step 3; Attach bottom 1x135 (45°) rigid module fastener onto 1st panel
- Step 4; Place 1x135 (45°) profile onto 1st panel with pins facing away from 1st panel. (Hold in place while 2nd panel is attached)
- Step 5; Attach 2nd panel onto profile by inserting pins of profile into holes of 2nd panel.  
Lock the corner by inserting a 3mm allen wrench into the set screw hidden under the surface covering of the panel at top & bottom where shown.
- Step 6; Attach top 1x135 (45°) rigid module fastener onto both 1st and 2nd panel by locking down the bolts with a 8mm hex wrench.

## mila-wall (Series100) Detail Instructions; Rotating Angle



- step 1; Using a phillips head screwdriver, loosen these two screws approximately 3/4"  
(This will allow the profile to be clamped onto the perpendicular wall)



- Step 2; Place the profile onto the wall where desired, hooking the bottom of the profile onto the wall.  
Step 3; Place the loosened top of the profile onto the wall and re-tighten the screws until the profile is tight  
Step 4; Place the next wall onto the pins of the profile and lock onto the profile.  
(Lock the corner by inserting a 3mm allen wrench into the set screw hidden under the surface covering of the panel at top & bottom where shown.)