

# mila-wall (Series400) General Operating Instructions

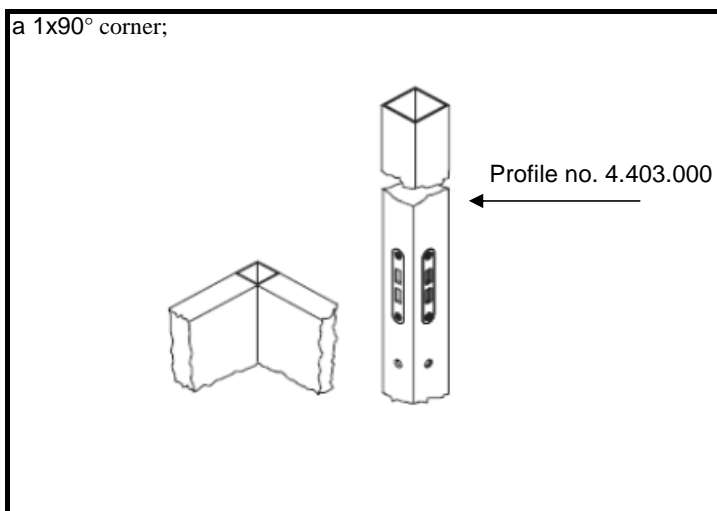
page 1 of 3



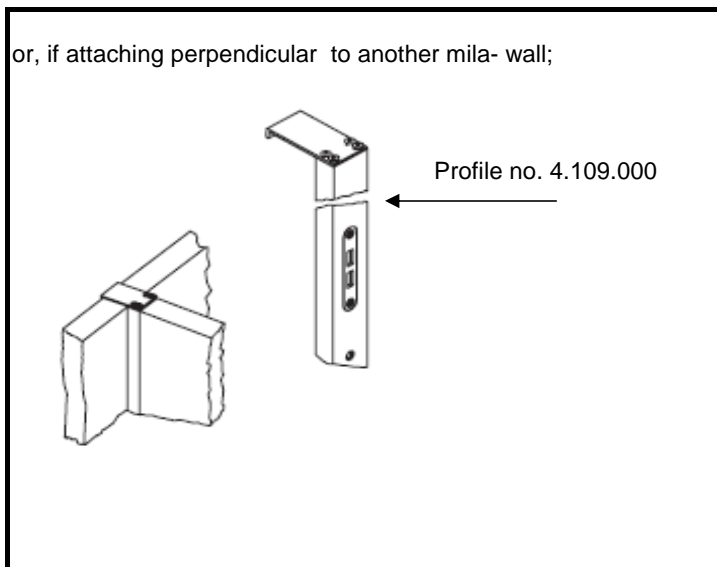
Step #1: **Before setting up walls, lower adjustable leveling feet on each panel approximately 1". This will allow access to the threaded nut required to level the adjustable feet. (Use the leveling disc or open ended wrench).**

Step #2: **Begin by erecting a self-supporting corner wall section using a corner profile.**

Either: a 1x90° corner;



or, if attaching perpendicular to another mila- wall;

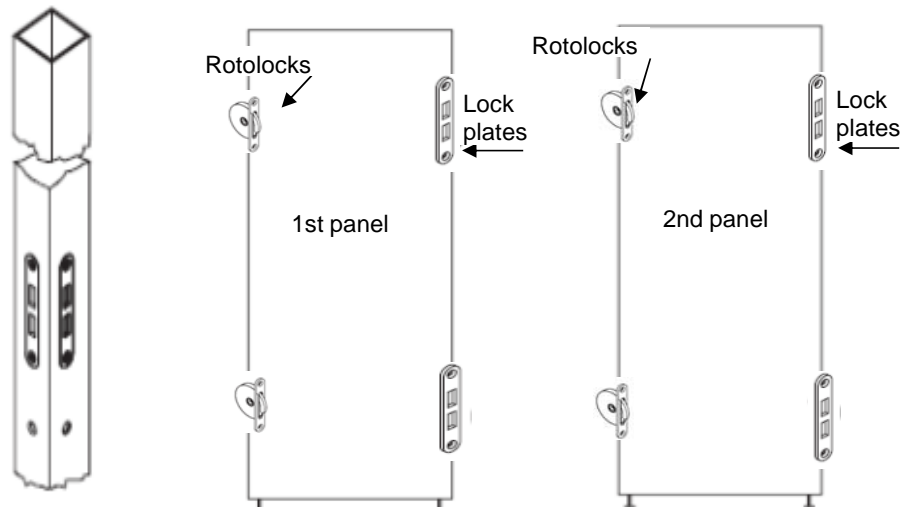


page 1 of 3

# mila-wall (Series400) General Operating Instructions



Step #3: Attach panel to panel as shown here;



Step A; Place corner profile onto edge of 1st panel, rotate rotolock until the hook engages with the lock plate.

Step B; Place 2nd panel onto edge of 1st panel, rotate rotolock until the hook engages with the lock plate.

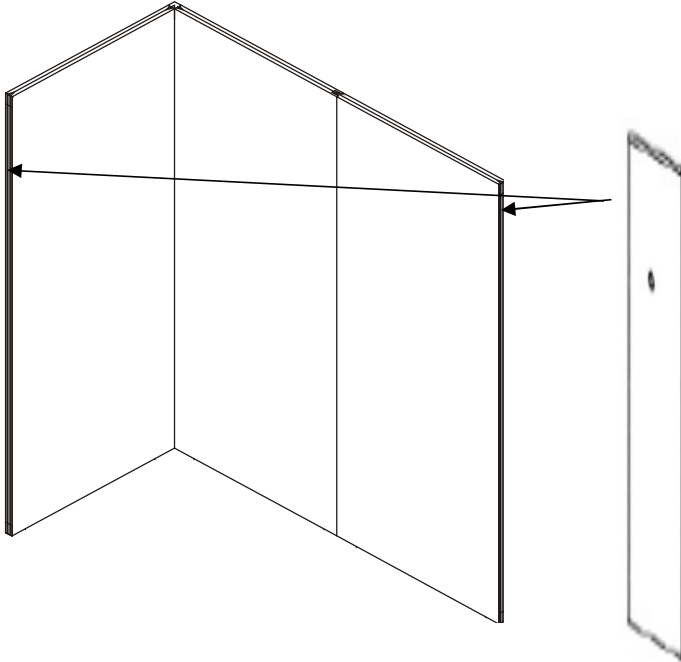
NOTE: Roto-Locks and Lock Plates are interchangeable, so if the hardware does not match up (Roto-Lock into Lock Plate), then switch hardware to appropriate connection.

# mila-wall (Series400) General Operating Instructions

page 3 of 3



Step #4: Finish edges of panels as shown here;



**Step # 1;**

Place flat stock end cover profile onto edge of panel.

**Step # 2;**

Using flat head screws painted white, screw profile onto edge of wall panel.

page 3 of 3